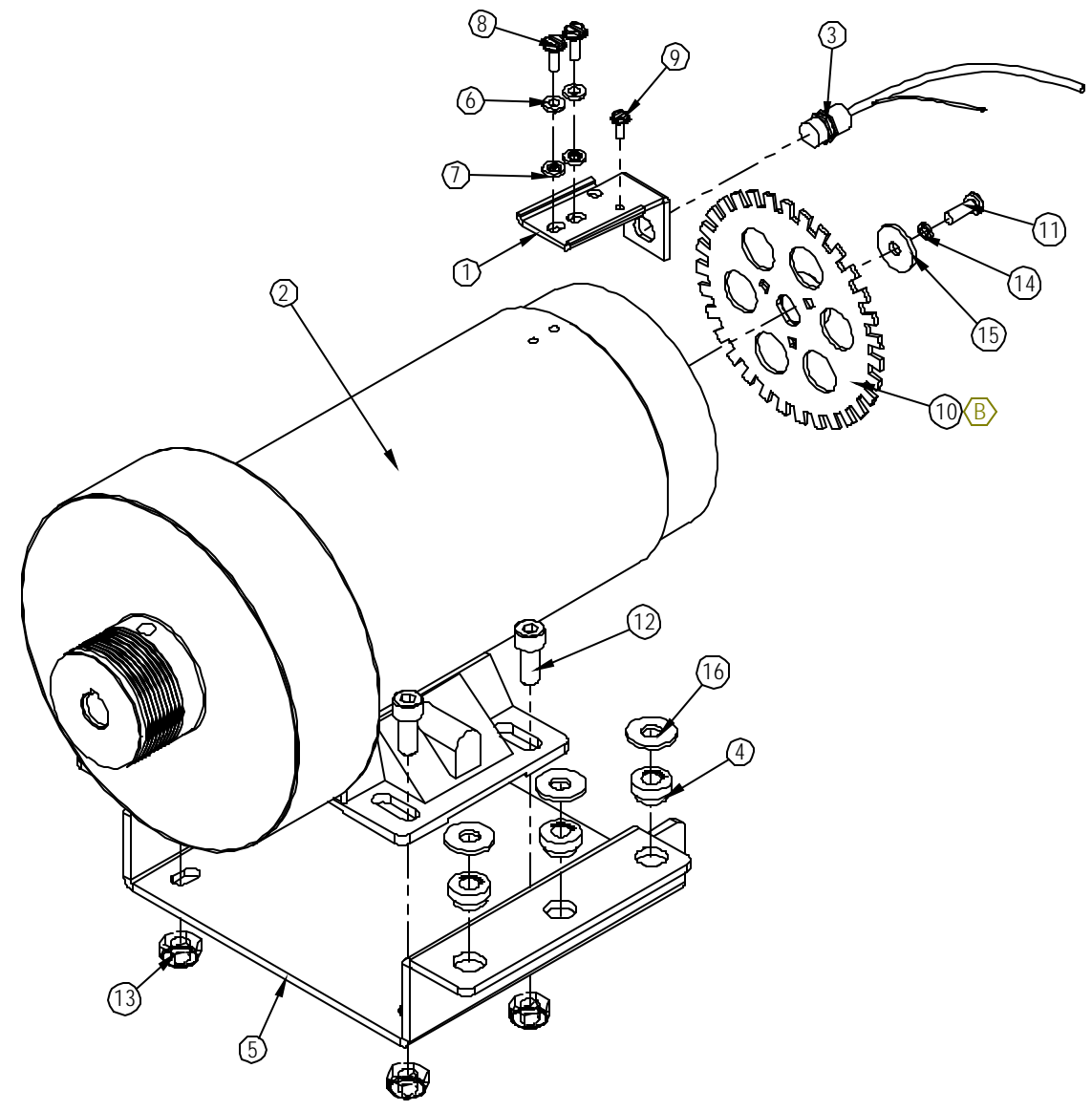


| REV | DATE | DESCRIPTION | ECO | BY |
|-----|----------|----------------------------------|-------|----|
| A | 09-18-07 | PRODUCTION RELEASE | | AK |
| B | 08-27-08 | REMOVE 740-6169 AND ADD 740-6216 | 12002 | SJ |



| ITEM NO. | STARTRAC P/N | PART NUMBER | DESCRIPTION | QTY. |
|----------|--------------|-----------------|-------------------------------------|------|
| 1 | | 020-6563 | | 1 |
| 2 | 740-6008 | 740-6008 | MOTOR,90 VDC, SPORT TREAD | 1 |
| 3 | 740-6020 | 740-6020 | Assy, Speed Sensor, Sport Treadmill | 1 |
| 4 | 740-6082 | STDP3600 | GASKET, SCREW ISOLATOR | 6 |
| 5 | 740-6105 | STDP1000 | BRACKET, MOTOR BASE | 1 |
| 6 | 740-6118 | STDP6100 | WASHER, SHOULDER, M5 | 2 |
| 7 | 740-6119 | STDP6200 | WASEHR, RETAINER, #6, NYLON | 2 |
| 8 | 740-6120 | STDP6400-TRC | SCREW, 8-32 X 1/2" HHMS,W/WASH | 2 |
| 9 | 740-6121 | STDP6300-TRC | SCREW, 6-32 X 3/8" HHMS,W/WASH | 1 |
| 10 | 740-6216 | STDP5200-TRX | SPEED SENSOR, WHEEL | 1 |
| 11 | 740-6512 | GB818M5*15; 2 | SCREW,GB818M5*15 | 1 |
| 12 | 740-6522 | GB70M8*20; 4 | SCREW,GB70M8*20 | 4 |
| 13 | 740-6523 | NM8; 19 | SCREW,NM8 | 4 |
| 14 | 740-6526 | GB935; 12 | SCREW,GB935 | 1 |
| 15 | 740-6527 | DQ6DS2 | WASHER,DQ6 | 1 |
| 16 | 740-6530 | DQ8; 2A | WASHER, DQ8 | 6 |

NOTICE OF PROPRIETARY INFORMATION
 THIS DOCUMENT SHALL NOT BE REPRODUCED NOR SHALL THE INFORMATION CONTAINED HEREIN BE USED BY OR DISCLOSED TO OTHER EXCEPT AS EXPRESSLY AUTHORIZED BY UNISEN INC. D.B.A. STAR TRAC.

**DOCUMENT STATUS:
 RELEASE**

NOTES:

| CLASS OF WORK | UNLESS OTHERWISE SPECIFIED DIMS ARE IN mm. TOLERANCES FOR MEASURE OF LENGTH ARE: | | | | | | | |
|---------------|--|---------|----------|------------|-------------|--------------|---------------|-------|
| | 0.5 to 3 | >3 to 6 | >6 to 30 | >30 to 120 | >120 to 400 | >400 to 1000 | >1000 to 2000 | >2000 |
| FINE | ±0.05 | ±0.05 | ±0.1 | ±0.15 | ±0.2 | ±0.3 | ±0.5 | ----- |
| MEDIUM | ±0.1 | ±0.1 | ±0.2 | ±0.3 | ±0.5 | ±0.8 | ±1.2 | ±2 |
| COARSE | ±0.2 | ±0.3 | ±0.5 | ±0.8 | ±1.2 | ±2 | ±3 | ±4 |
| VERY COARSE | ----- | ±0.5 | ±1 | ±1.5 | ±2.5 | ±4 | ±6 | ±8 |

MATERIAL
SEE BOM

FINISH
N/A

VENDOR: N/A

P/N: 740-6157

THIRD ANGLE PROJECTION



| | | |
|----------|---------|------|
| DRAWN | INITIAL | DATE |
| CHECKED | | |
| APPROVED | | |

UNISEN, INC. DBA

 14410 Myford Road
 Irvine CA 92606

STARTRAC PART NO. **740-6157** REV **B**

TITLE **ASSY, MOTOR, 90 VDC, W/ BRACKET**

SCALE: 1:5 SHEET 1 OF 1 SHEET SIZE: B